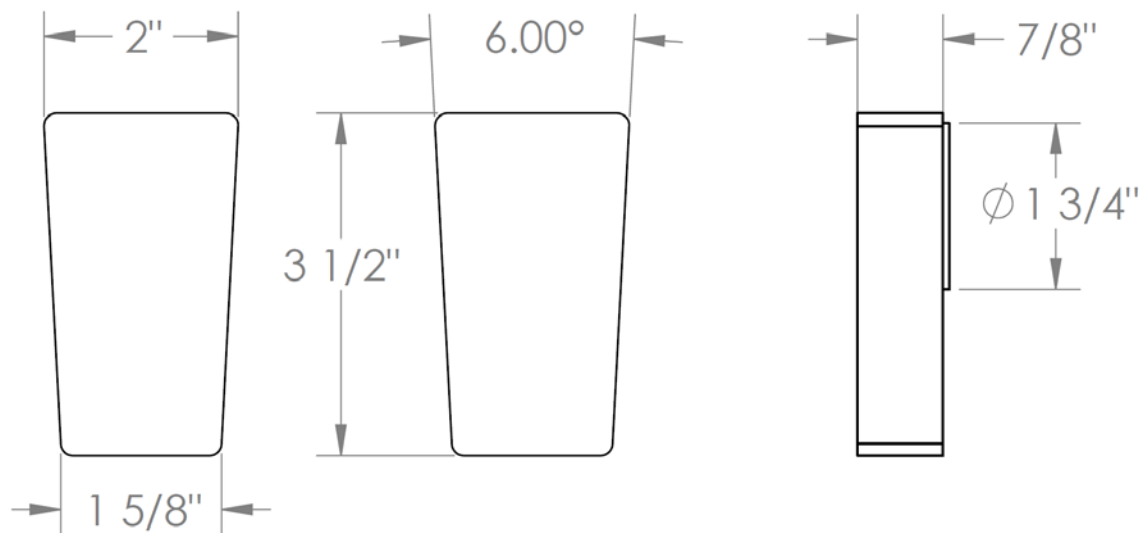
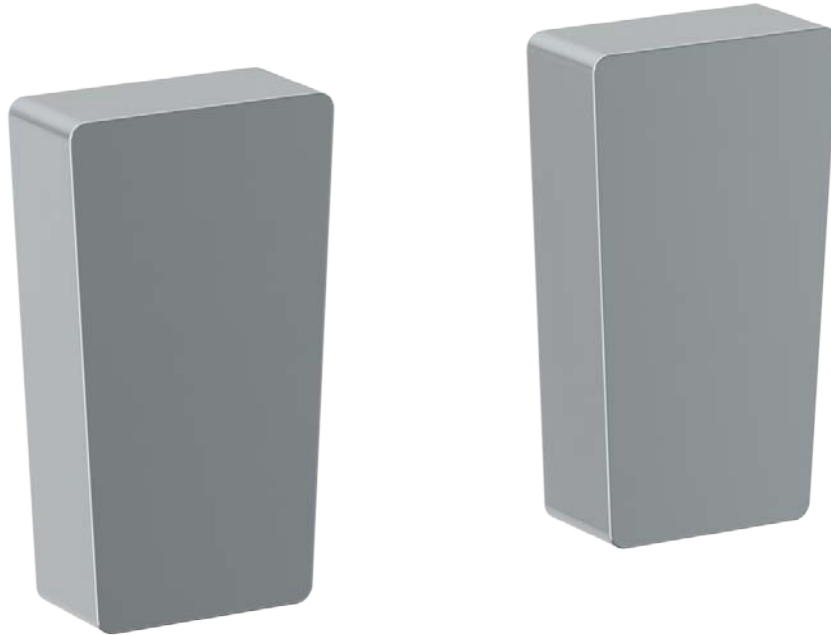


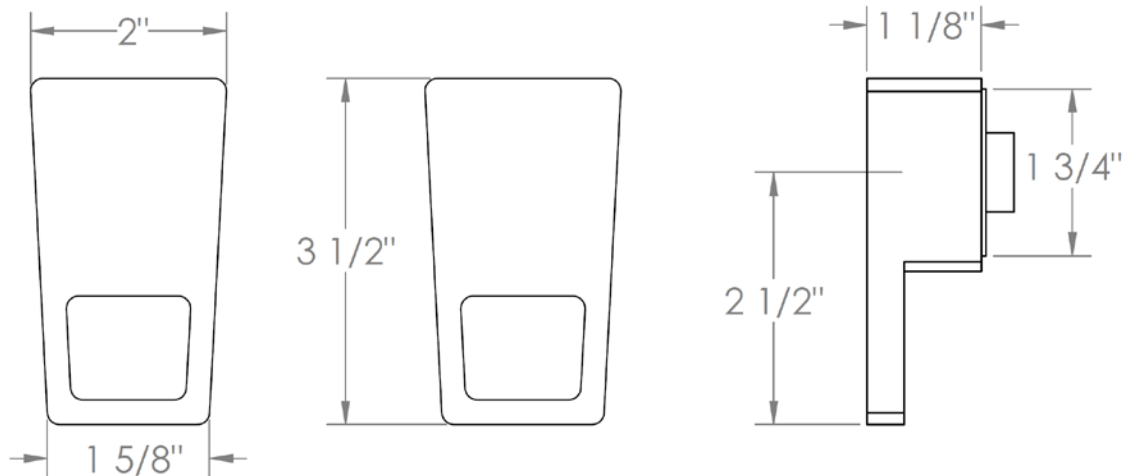
35-WTR2-ED1

Wall Mounted 2-Valve Shower Trim
For use with SS-506 concealed rough



35-WTR2-ED2

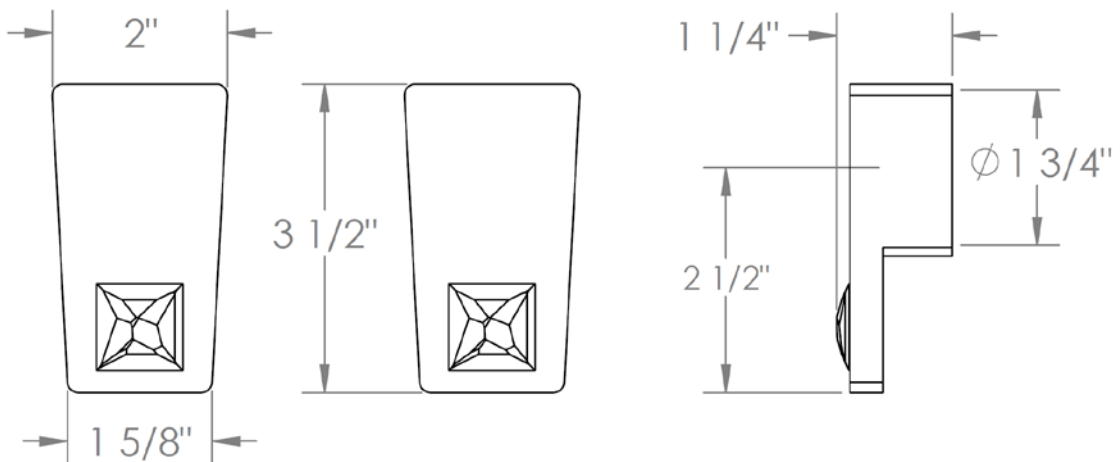
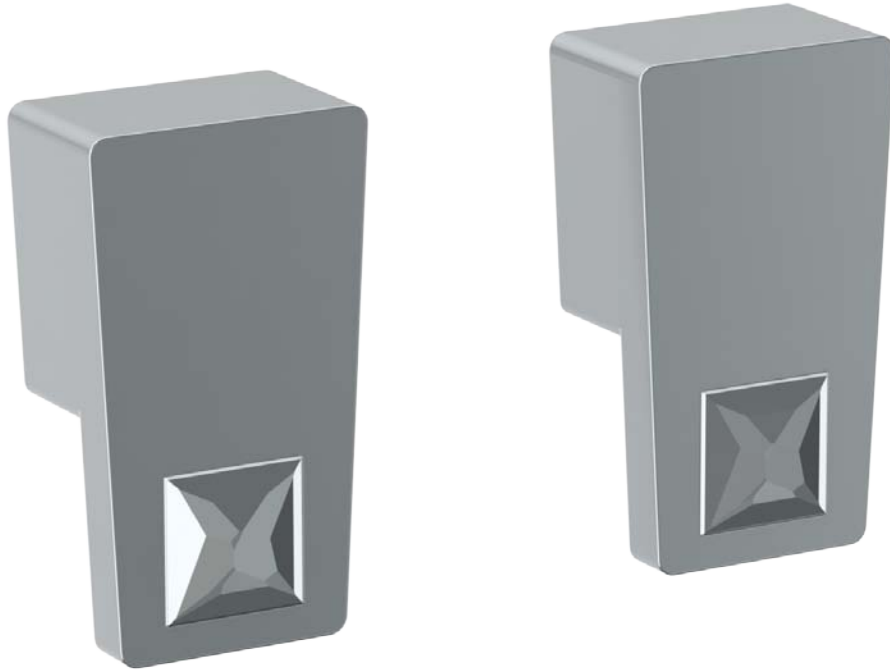
Wall Mounted 2-Valve Shower Trim
For use with SS-506 concealed rough



WATERMARK DESIGNS 8/1/2018

35-WTR2-ED3

Wall Mounted 2-Valve Shower Trim
For use with SS-506 concealed rough



WATERMARK DESIGNS 7/18/2018